



## Gunnebo SafePay Complete

High security and optimization of cash management in your store



## Highly secure and efficient way to manage your cash in store

SafePay offers customers a quick and efficient way to pay with cash in any type of store. Cashiers are relieved of time-consuming back-office cash administration as cash is automatically checked and counted and cash totals are monitored online via our Cash Control Software.

From the moment your customers pay until cash is deposited into the bank, your earnings are kept safe and cash operations are optimized, since cash is never exposed or handled manually and no staff member has to be present during CIT pick up.

Daily earnings are transported securely into a sealed cassette from the check-out to the back office at the

end of the day. Ink protection can be added into transportation sealed cassettes for extra security. Transportation cassettes are slotted into the back-office deposit unit and automatically emptied. Notes in back-office deposit unit can be stored into a thermally sealed plastic bag or into an armed CIT case.

No matter the space you have in the check-out, SafePay Complete will meet your needs. With the Slim Edition you will have the thinnest front-end recycling system of the market. Your staff will be happy to leave on time and you will be content knowing that everything is running as it should be as all processes are also controlled by the highly technologically advanced Cash Control software.

### Benefits at a glance

1

Closed and controlled Cash Handling at check-out

2

Extensive in-store security in front and back office

3

Pre-Crediting integration

4

Simple staff maintenance

5

Designed for self-service or cashier operation

## Product Features



### Multiple Configurations

- SafePay Complete
- SafePay Complete – Slim Edition
- SafePay Complete ink
- SafePay Complete ink – Slim Edition
- All SafePay families can be customized with the color of your choice



### Easy to use

- Enhanced note insertion
- Graphical display for clear communication with your customers
- Adapted for disability access
- Multiple currencies
- Equipped for cash back



### Closed and secured system

- Cash never exposed
- Grade III back-office deposit unit for overnight storage
- Transportation sealed cassettes can be ink-protected
- ECB certified authenticity control
- Floor anchored for physical protection



### Streamlined investment

- Allow multiple POS configurations up to 5 POS per SafePay
- Optimization of end-to-end cash process
- Cash reporting and automatic reconciliation
- Remote Service Monitoring
- Desktop and Mobile web-based platform for centralized control – Cash Control



### Simple Maintenance

- Staff can solve problems quickly themselves
- Plug&Play replacement of key parts
- Remote problem solving through Cash Control
- Problem solving routines clearly displayed on standard POS screen and Cash Control based platform for centralized control

## Technical Data

	Complete	Complete - slim edition	Complete ink	Complete ink - slim edition
Dimensions (L x W x H) in.	CR : 13 x 14 x 25	CR : 18 x 5 x 51	CR : 13 x 14 x 25	CR : 18 x 5 x 51
	NR : 8 x 19 x 29	NR : 8 x 19 x 29	NR : 8 x 19 x 29	NR : 8 x 19 x 29
Weight	178 lbs.	216 lbs.	178 lbs.	216 lbs.
Speed – notes	approx. 1 note per sec	approx. 1 note per sec	approx. 1 note per sec	approx. 1 note per sec
Speed – coin deposit	5 coins per sec	2 coins per sec	5 coins per sec	2 coins per sec
Speed – coin dispensing	avg. 6 coins per sec	3,5 coins per sec	avg. 6 coins per sec	3,5 coins per sec
Coin bulk capacity	200 coins	25-75 coins	200 coins	25-75 coins
Storage – notes	up to 800	up to 800	up to 800	up to 800
Storage – coins	3.000 mixed denominations	100 – 1.000 per denomination	3.000 mixed denominations	100 – 1.000 per denomination
Voltage	230V	230V	230V	230V
Connections	RS232, RS485, Ethernet LAN, Power 24V DC input / output	RS232, RS485, Ethernet LAN, Power 24V DC input / output	RS232, RS485, Ethernet LAN, Power 24V DC input / output	RS232, RS485, Ethernet LAN, Power 24V DC input / output
Currencies	EUR, GBP, SEK, NOK, DKK, PLN, ZAR, MXN, RM, CHF, THB, SGD, AUD, USD	EUR, GBP, SEK, NOK, DKK, PLN, ZAR, MXN, RM, CHF, THB, SGD, AUD, USD	EUR, GBP, SEK, NOK, DKK, PLN, ZAR, MXN, RM, CHF, THB, SGD, AUD, USD	EUR, GBP, SEK, NOK, DKK, PLN, ZAR, MXN, RM, CHF, THB, SGD, AUD, USD

### Security

- Authenticity control
- Optional ink protection
- Floor anchoring
- Prevention from robberies and shrinkage
- Coin module with key lock or dual key lock
- Full event logging including potential fraud attempts

### Application Areas

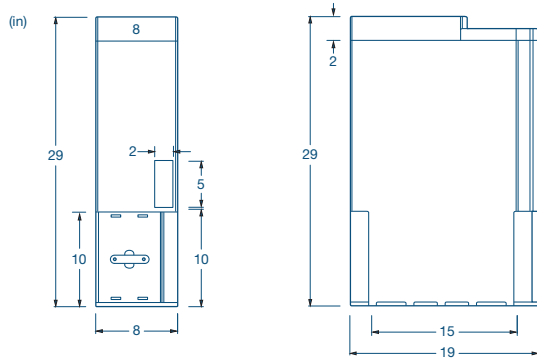
- Traditional check-outs
- Self-service check-outs
- Self-Payment stations
- Mid and Large-sized stores

### Options

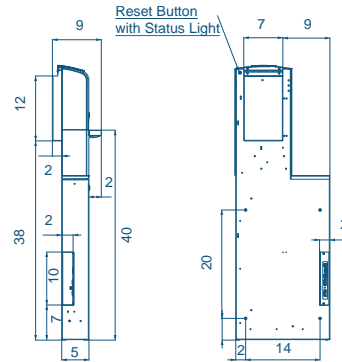
- Multicurrency support
- Deposit capacity from 400 to 800 notes
- Recycling capacity from 100 notes (all denominations) up to 900 notes

## Product Drawings

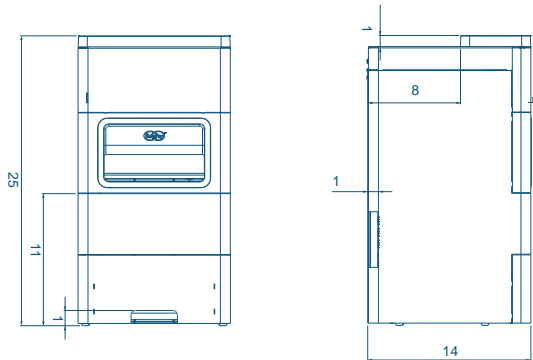
### Note Recycler Interface Cassette



### Coin Recycler - Slim Edition



### Coin Recycler



## About Closed Cash Management

SafePay Complete forms part of the SafePay closed cash management solution for retailers. Closed cash handling protects cash from the moment a customer pays all the way to the cash-counting center – no gaps in security and no weak links in the chain. It replaces manual tills with a much more secure system which recycles cash and removes cash differences. Gunnebo is a pioneer in this field and has worked closely together with leading European retailers to develop SafePay – a reliable, secure and efficient closed cash handling system.



Want to see SafePay Solutions in full action?  
Scan this QR code with your smartphone.  
Or search for "SafePay" on YouTube.

# Gunnebo SafePay Complete

Design and production: Gunnebo. Photos Credits: Gunnebo. The data given in this material may be subject to change without further notice. The Gunnebo logos and "Gunnebo - For a safer world" are registered trademarks of Gunnebo AB.



Gunnebo Cash Management US  
7775 Cooper Road, Cincinnati, OH 45242  
Tel 513.874.3733. [www.gunnebo.us](http://www.gunnebo.us)

